

# Creality CR30

## 3DPrintMill

Ingenious, Infinite and Incredible  
The ultimate revolutionary 3D printer



Batch Print



Infinite-Z-axis  
Printing



Stable and  
Durable Operation



Creality  
Cloud App



Infinite-Z-axis  
Printing



Dual-gear  
Metal Extruder



Stable Core-XY  
Structure



Rolling  
Conveyor-belt



Exclusive Slice  
Software

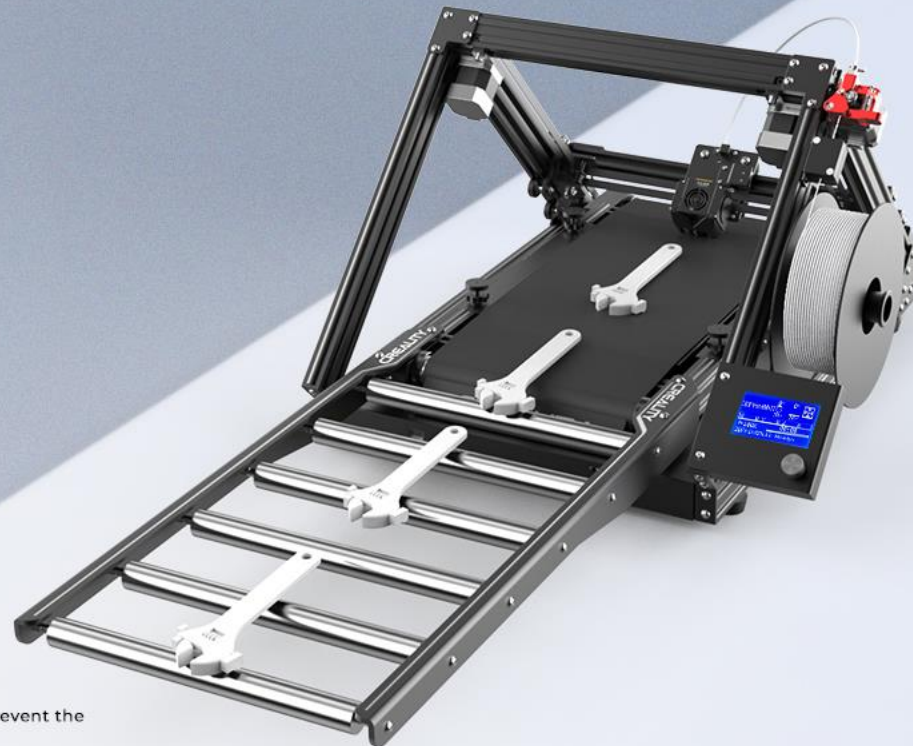
## Infinite-Z-axis for Endless Printing

Equipped with the rolling conveyor-belt, it realizes continuous printing of duplicate models. No worries to print the infinite length model. High productivity, time-saving and cost-efficient.

200 x 170 x  $\infty$  mm

Print dimension:

\*A removable extension bracket is available for installing to prevent the model from falling during printing(Optional)





## A Desktop Size 3D printer Easy to Achieve the Batch Print

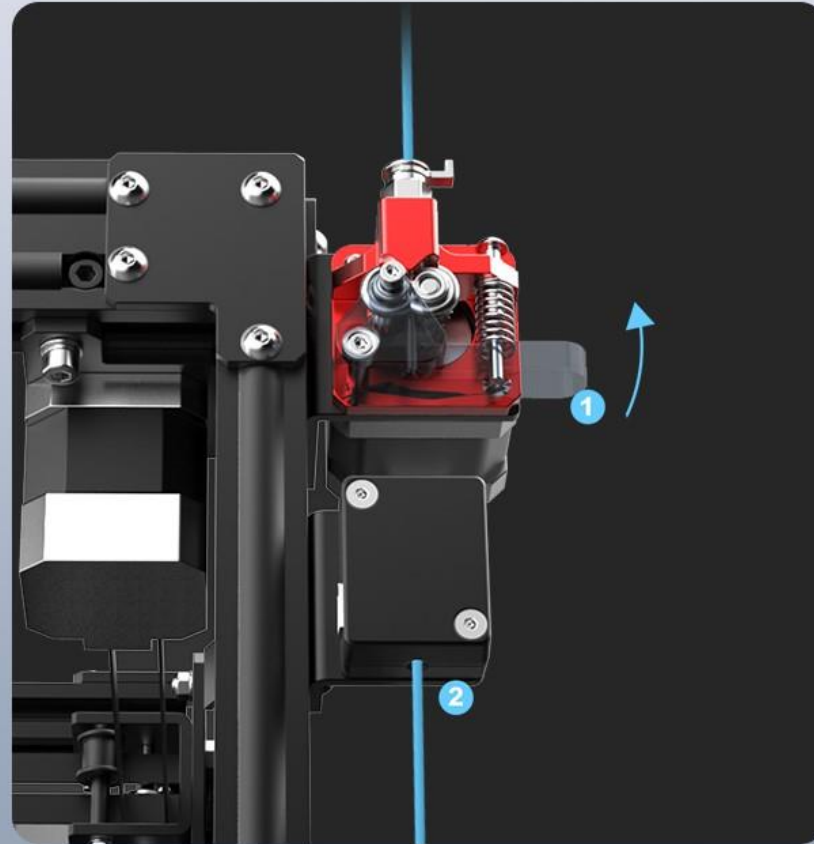
3DPrintMill is a revolutionary creative product, which breaks through the traditional gantry structure. It can easily achieve batch print with a desktop size.

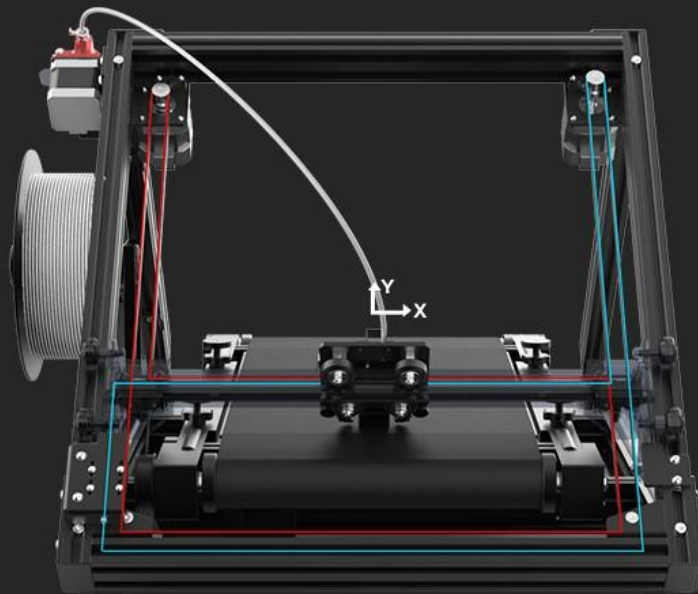
535×656×410 mm

Machine Dimension:

## Dual-gear Metal Extruder

High-quality dual-gear metal extruder, combined with the 45 degrees slanting nozzle turns more than 200 hours of continuous printing into reality





## Stable Core-XY Structure

The stable and sturdy Core-XY precision structure with isosceles right triangle support gives you an extraordinary printing experience



## Rolling Conveyor Belt

Made of wear-resistant material, the conveyor belt features excellent adhesion to the model. The printed model can fall off automatically as the belt rolls to the end, thus free your hand



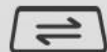
Strong adhesion



Hassle-free removal



Wear-resistant



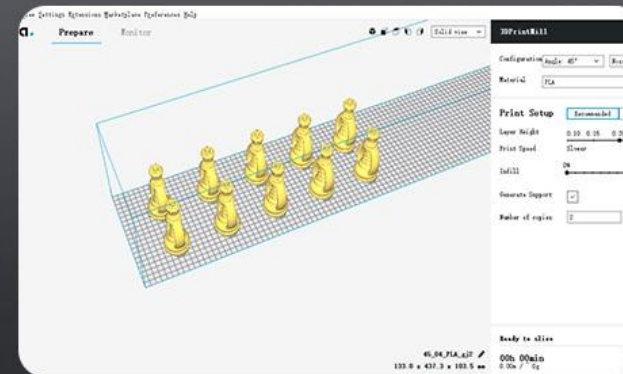
Well-balanced conveyance





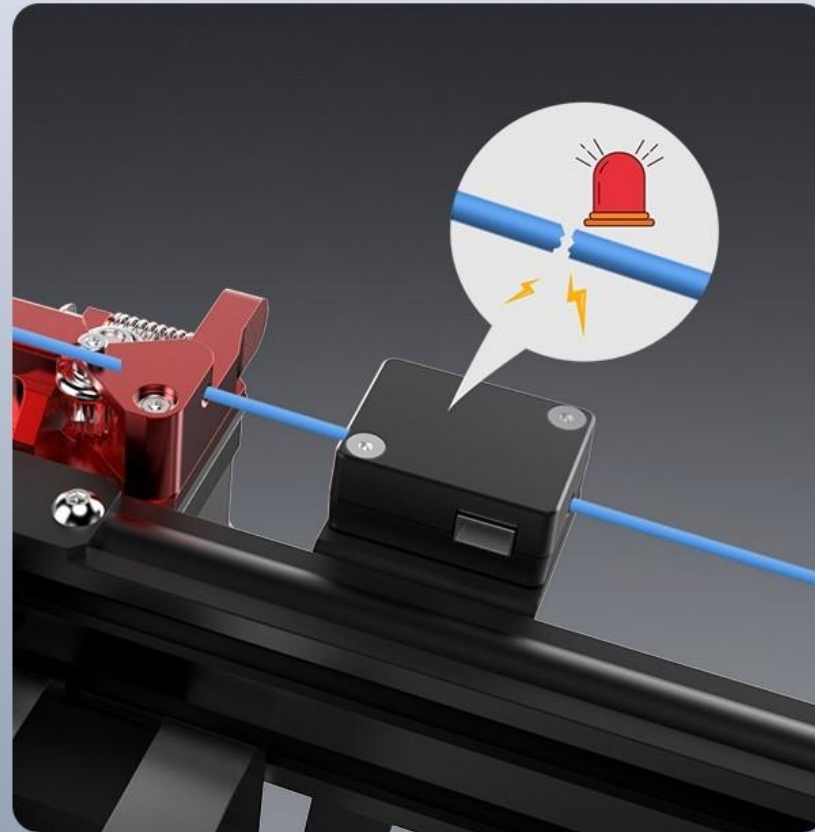
## Exclusive Slice Software for 3DPrintMill Only

This slicing software CrealityBelt is specially designed for 3DPrintMill. CrealityBelt is truly user-friendly ascribing to its simple operation



## Smart Filament Breakage Detector

Whenever there is a possible accident like filament run-out or filament breakage, the smart sensor forces the machine to suspend printing. Printing will be automatically resumed after the new filament feed-in. Intelligent power protection device, resume printing and no fear of power failure





## All You Need Is Within Touch



### **Ultra-silent Motherboard**

Silent chipset and low noise  
enhances the user experience



### **High-quality Power Supply**

High-quality power supply  
greatly enhance the stability  
of infinite printing.

## Applications

Building structure



Industrial design



Household life



dolls



# Product Parameters

**Print Tech:** FDM

**Nozzle Qty:** 1

**Print Size:** 200\*170\*∞mm

**Hot Bed Temperature:** ≤ 100 °C

**Product Size:** 535\*656\*410mm

**Nozzle Temperature:** ≤ 240 °C

**Package Size:** 685\*565\*302mm

**Layer Height:** 0.1mm-0.4mm

**Product Net Weight:** 16.5kg

**Maximum Power Consumption:** 350W

**Package Gross Weight:** 20.5kg

**Power Requirement:** AC 100-120V / 200-240V, DC 24V

**Slicing Software:** Crealitybelt

**Supported Materials:** PLA/TPU/PETG

**Printing Precision:** ±0.1mm

**Filament Diameter:** 1.75mm

**Nozzle Diameter:** 0.4mm

# Creality CR30

