

# Creality Ender3 S1 Plus

## Ender-3 S1 Plus 3D Printer

Larger Build Volume, More Creative Possibilities



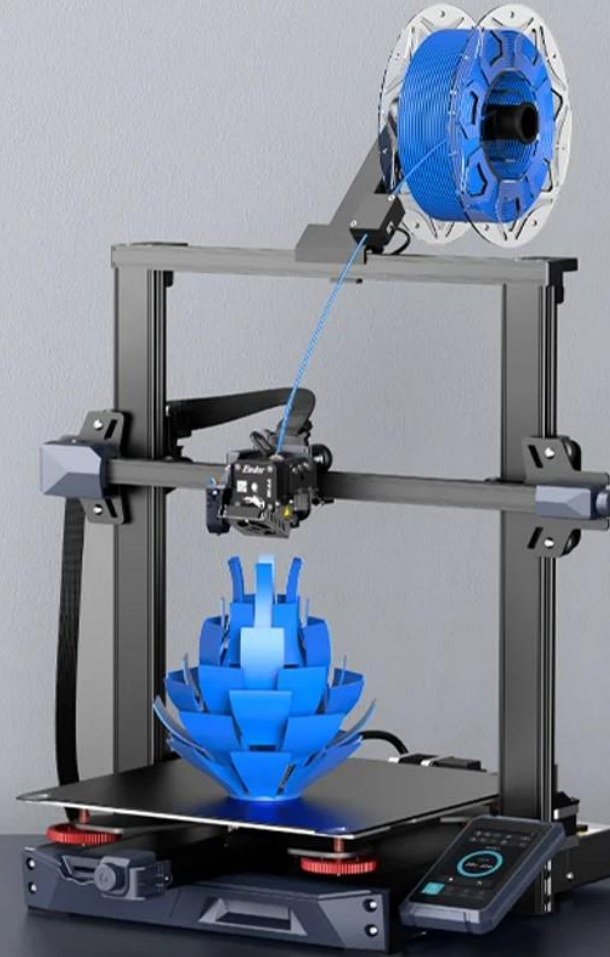
Build Volume  
300\*300\*300 mm



CR Touch  
Auto-leveling



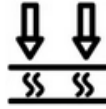
"Sprite"  
Direct Extruder



# Core Features



Quick Assembly



CR Touch  
Auto-leveling



300\*300\*300 mm  
Larger Build  
Volume



4.3-inch  
Touch Screen



Synchronized  
Dual Z-axes



Full-metal Dual-  
gear Direct  
Extruder

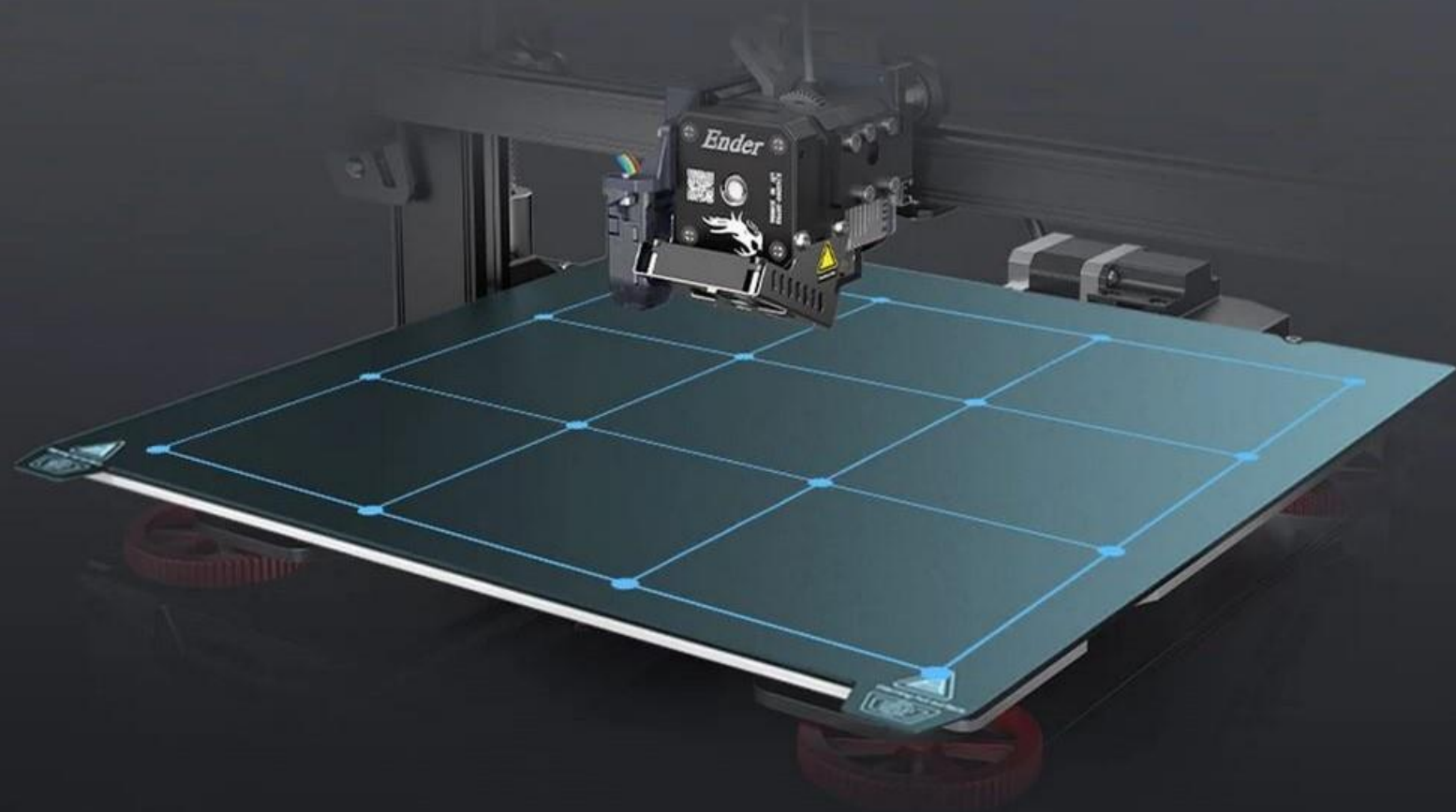


## Build Volume Upgrade 300\*300\*300 mm

Print larger-size models, meet more printing needs.

## Hassle-free CR Touch Auto-leveling

Quick leveling with automatic  
height compensation for 16  
points on the heatbed.





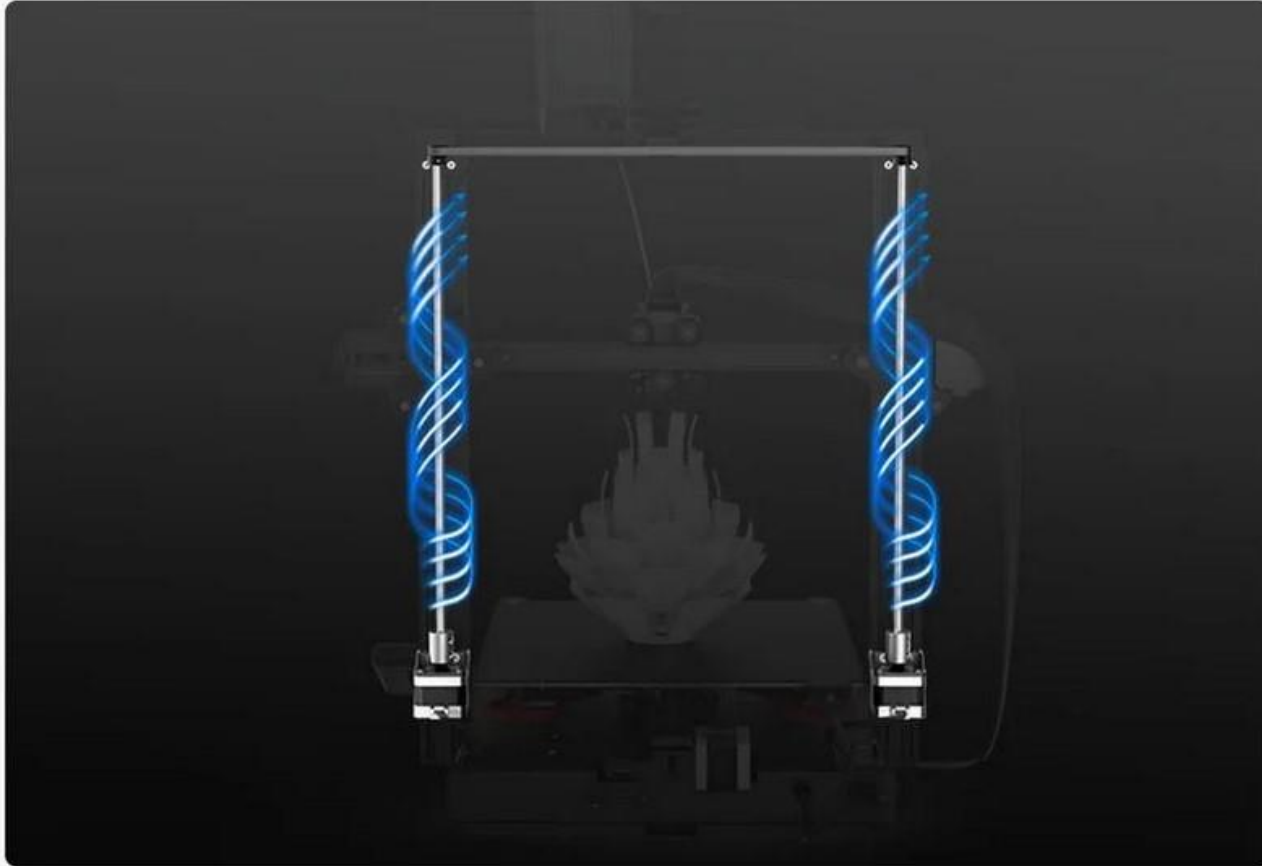
**"Sprite" Full-metal  
Dual-gear Direct Extruder,  
Good Filament Compatibility**

Brand new direct extruder, lightweight  
and powerful, ensures smooth feeding.

## 4.3-inch Touch Screen, Click to Control

User-friendly UI supports 9 languages. Automatic dimming out in 3 minutes for energy saving.





## **Synchronized Dual Z-axes, High Precision Printing**

Dual Z-axes lead screws and dual motors for stable movement and quality printing.

## Quick Assembly, Easy to Handle

96% pre-installed, 6-step assembly,  
easy to use.





# Product Parameters

<b>Molding Technology:</b> FDM	<b>Extruder:</b> "Sprite" full-metal dual-gear direct extruder
<b>Build Volume:</b> 300*300*300mm	<b>Extrusion Force:</b> 80N
<b>Machine Dimension:</b> 557*535*655mm	<b>Leveling Mode:</b> auto-leveling with CR-Touch
<b>Package Dimension:</b> 625*590*230mm	<b>Display:</b> 4.3" color touch screen
<b>Net Weight:</b> 10.25kg	<b>Mainboard:</b> 32-bit silent mainboard
<b>Gross Weight:</b> 13.4kg	<b>Resume Printing:</b> Yes
<b>Printing Speed:</b> maximum 150 mm/s	<b>Filament Sensor:</b> Yes
<b>Printing Precision:</b> 100mm±0.2mm	<b>Rated Voltage:</b> 100-120V, 220-240V, 50/60Hz
<b>Layer Height:</b> 0.1-0.35mm	<b>Rated Power:</b> 350W/24V
<b>Nozzle Quantity:</b> 1	<b>Slicing Software:</b> Creality Slicer/Cura/Repetier-Host/Simplify3D
<b>Nozzle Diameter:</b> 0.4 mm	<b>Data Transmission Method:</b> Type-C USB/ SD card
<b>Nozzle Temperature:</b> up to 260°C	<b>3D File Format:</b> STL/OBJ/AMF
<b>Heat Bed Temperature:</b> up to 100°C	<b>Supported Filament:</b> PLA/ABS/TPU/PETG
<b>Build Surface:</b> spring steel PC magnetic build plate	<b>Supported Filament:</b> PLA/ABS/TPU/PETG
<b>Supported Language:</b> Chinese, English, Spanish, German, French, Portuguese, Italian, Russian and Turkish	

# Creality Ender3 S1 Plus

