

CR-6 MAX 3D Printer

CR-6 Max Intelligent Technology Meets Your Infinite Creativity

Large print size | High print precision
Smart auto-leveling



Large print size



Double pull rod



Dual Y-axis



Auto-leveling



Silent motherboard



Precise nozzle kit

Larger Print Size Makes You Enjoy the DIY Fun

With the print size 400*400*400,
CR-6 Max realizes your unlimited creativity and
satisfies you with more choices



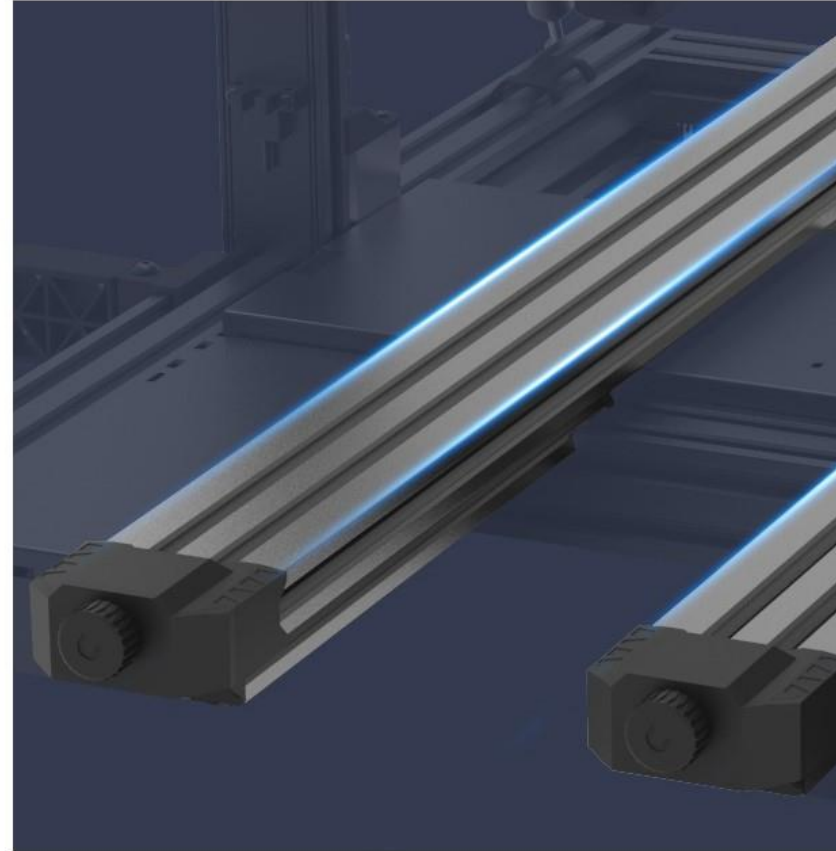


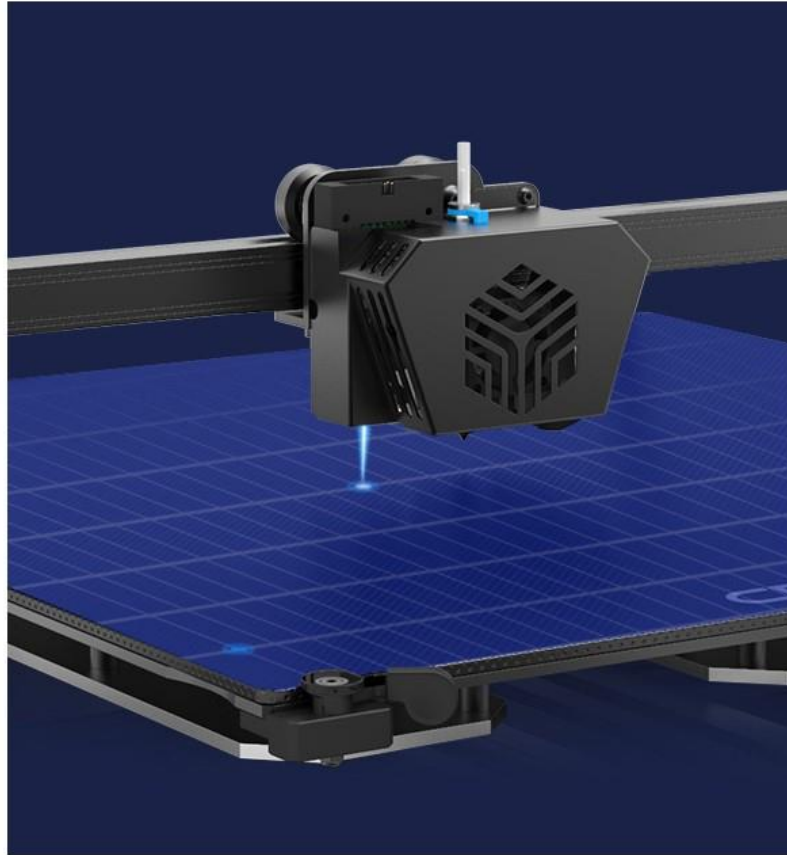
Double Pull Rod + Dual Z-axis

Equipped with a double-pull rod, dual Z-axis and timing belt, the triangular structure greatly promotes the printing stability

Dual Y-axis Design Promotes the Stable Printing

The dual Y-axis and double synchronous belt greatly ensure the printing accuracy and the printing stability



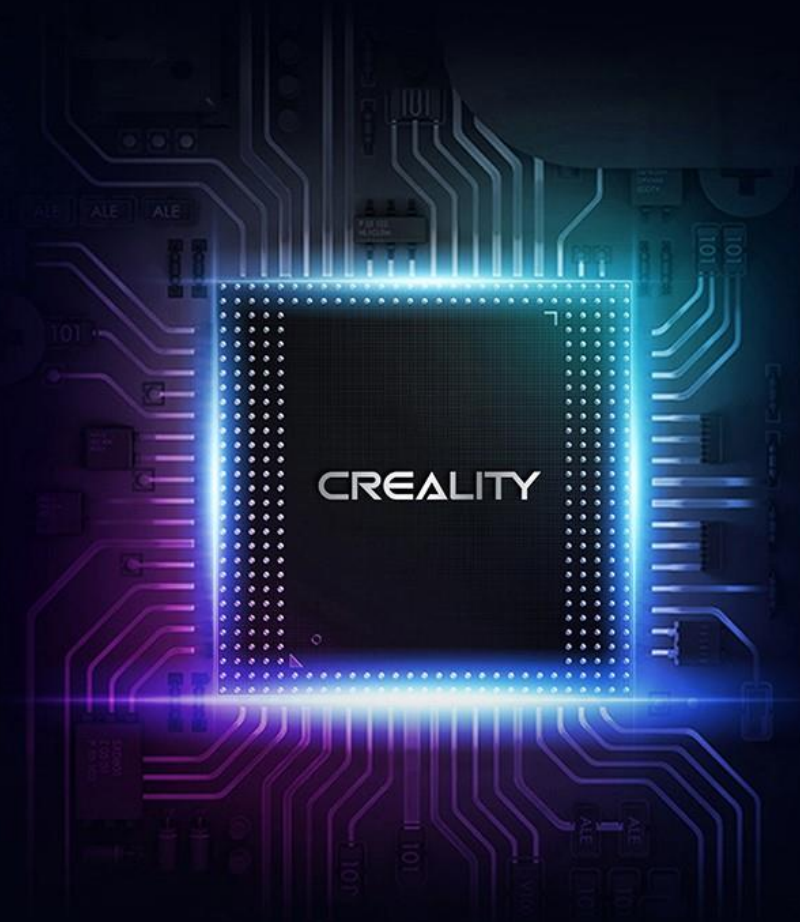


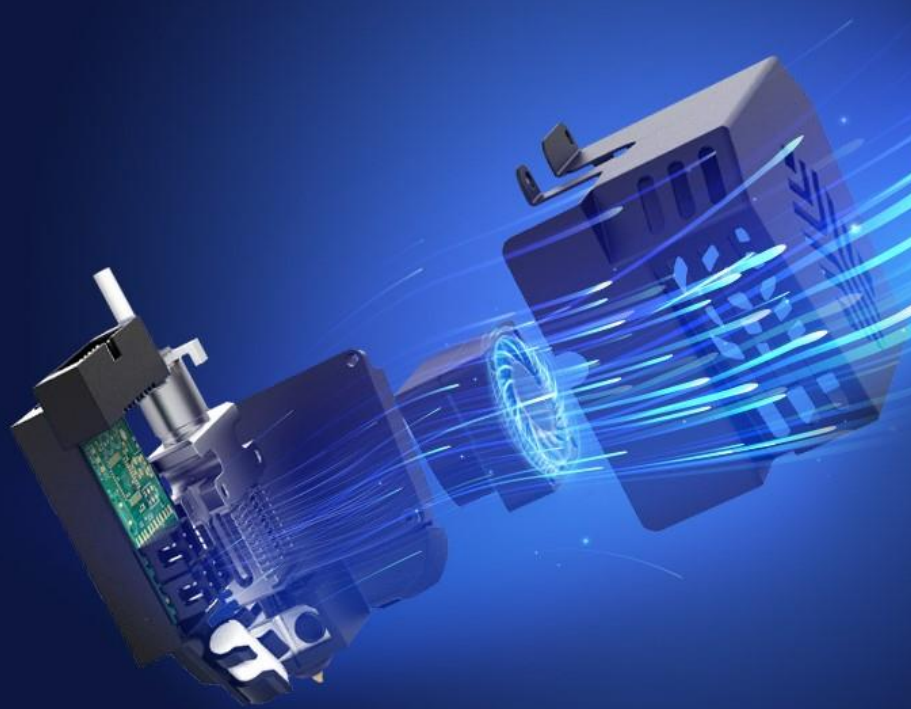
Intelligent Auto-leveling

The brand new and self-developed leveling has the precise sense, more convenient and efficient

Excellent Silent Motherboard

The upgraded silent motherboard with excellent performance reduces the print noise





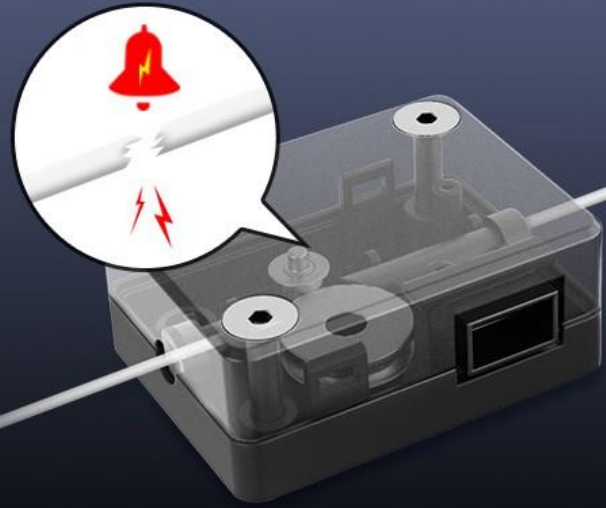
High Precision Nozzle Kit

Brand new design and module nozzle kit is feature of the great flow-path and even heat dissipation, which makes the printing more precise

Self-developed Extrusion Mechanism

Brand new extrusion mechanism makes the filament feed-in much easier. The smooth feeding ensures the smooth printing





Filament Sensor + Resume Printing

Avoid the printing failure owing to the filament breakage and power outage, save time and energy

HD Color Touchscreen

4.3inch HD idisplay with easy operation gives you a better experience

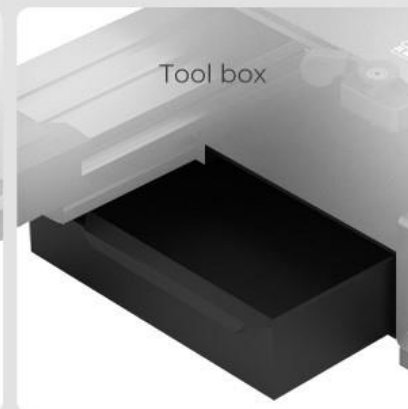




Carborundum Glass Platform

Fast to heat, easy to remove the model
without warping

Optimized Details



Product Parameters

Molding technology: FDM

Nozzle temperature: ≤ 260 °C

Print size: 400*400*400mm

Hotbed temperature: ≤ 90 °C

Machine size: 725*640*691mm

Rated power: 500W

Printing resolution: ± 0.1 mm

Display screen: 4.3inch color touchscreen

Layer thickness: 0.1-0.4mm

Power supply: Input 100-240V; output 24V

Number of nozzles: 1

File transfer: USB/Memory card

Nozzle diameter: 0.4mm as standard

Supported materials: PLA / TPU / PETG / Wood

CR-6 MAX 3D Printer

